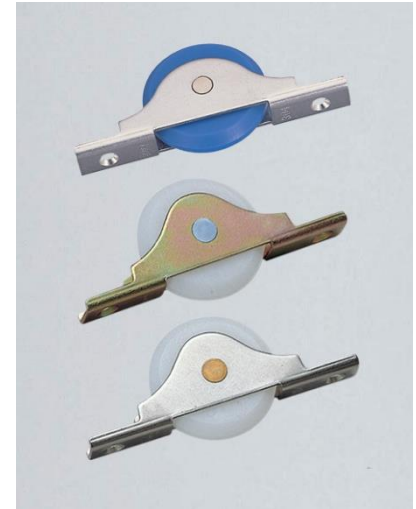
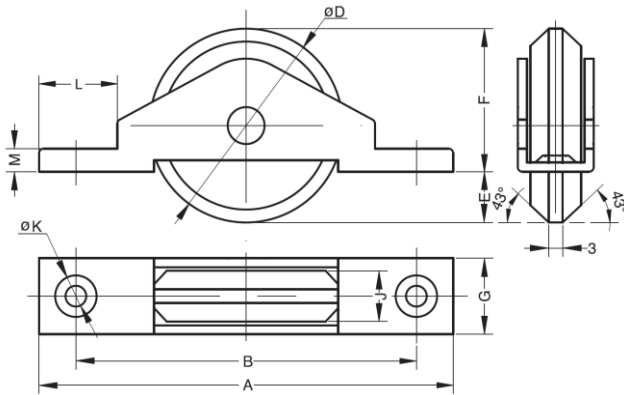


GFDS / GFES / GFMS Sliding Door Roller

Features

- Smooth and quiet movement with plastic rollers
- **GFES** and **GFMS** are equipped with ball bearings providing easy operating even with heavy load



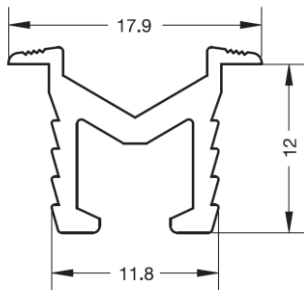
Part Name	Series	Material	Finish
Bracket, Pin	GFDS, GFES, GFMS	304 Stainless Steel	Plain
Wheel	GFES, GFES	Polyacwetal	White
	GFMS	MC Nylon	Blue

Part No.	A	B	D	E	F	G	J	K	L	M	Load Capacity (per pair)
GFDS-0259	60	50	25	5	20	11	7	3	10	1.2	15 kg
GFDS-0339	74	63	33	5.5	27.5	13	8	4	12	1.5	25 kg
GFES-0339	68	57		7	26				14		50 kg
GFES-0429	92	76	42	6	36	14			18	5	70 kg
GFMS-0509	110	85	50	8	42	17	11	5	19		100 kg

GAV Bottom Rail For GFDS / GFES / GFMS

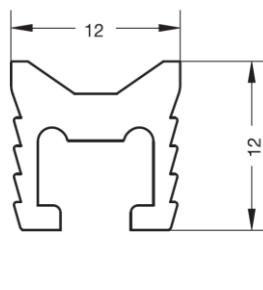
Material

- Aluminium, anodized finish



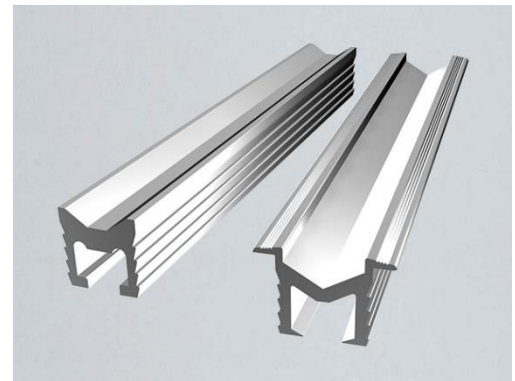
GAVED-12S/1820

Applicable Rollers:
GFDS-0259, GFDS-0339
GFES-0339, GFES-0429



GAVF-12S/1820

Applicable Rollers:
GFDS-0259, GFDS-0339
GFES-0339, GFES-0429
GFMS-0509



Part No.	Length
GAVF-12S/1820	1820
GAVED-12S/1820	